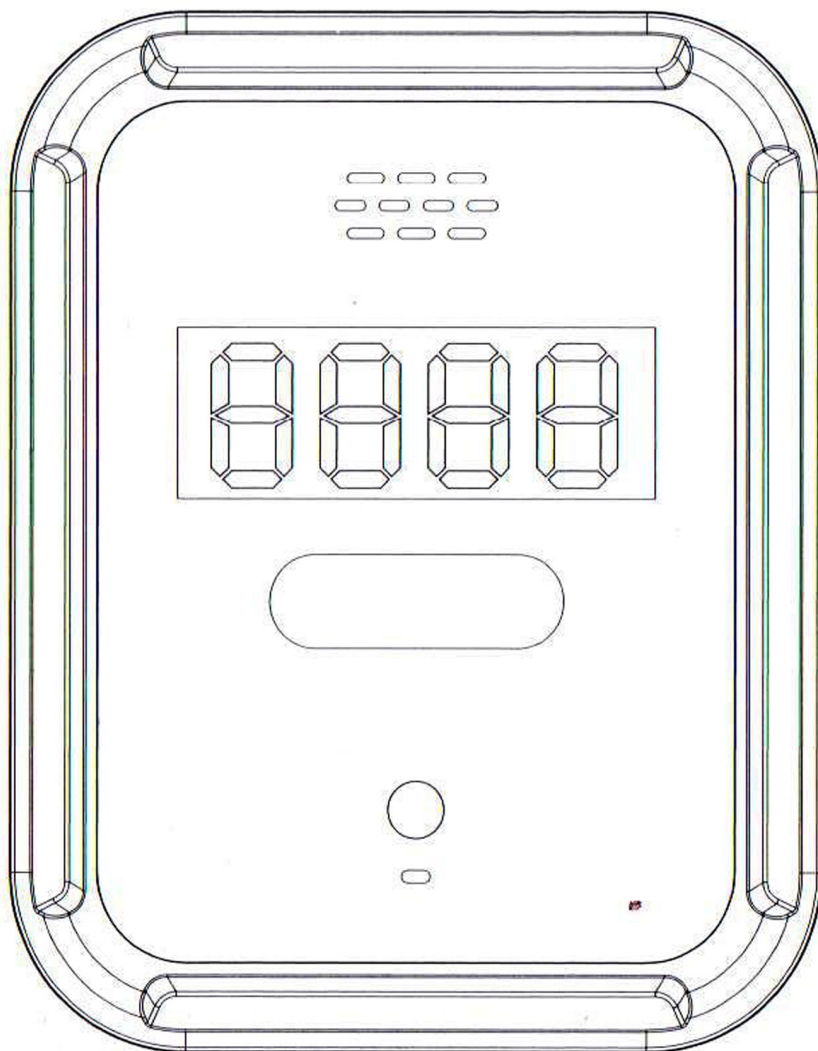


FAST THERMOMETER

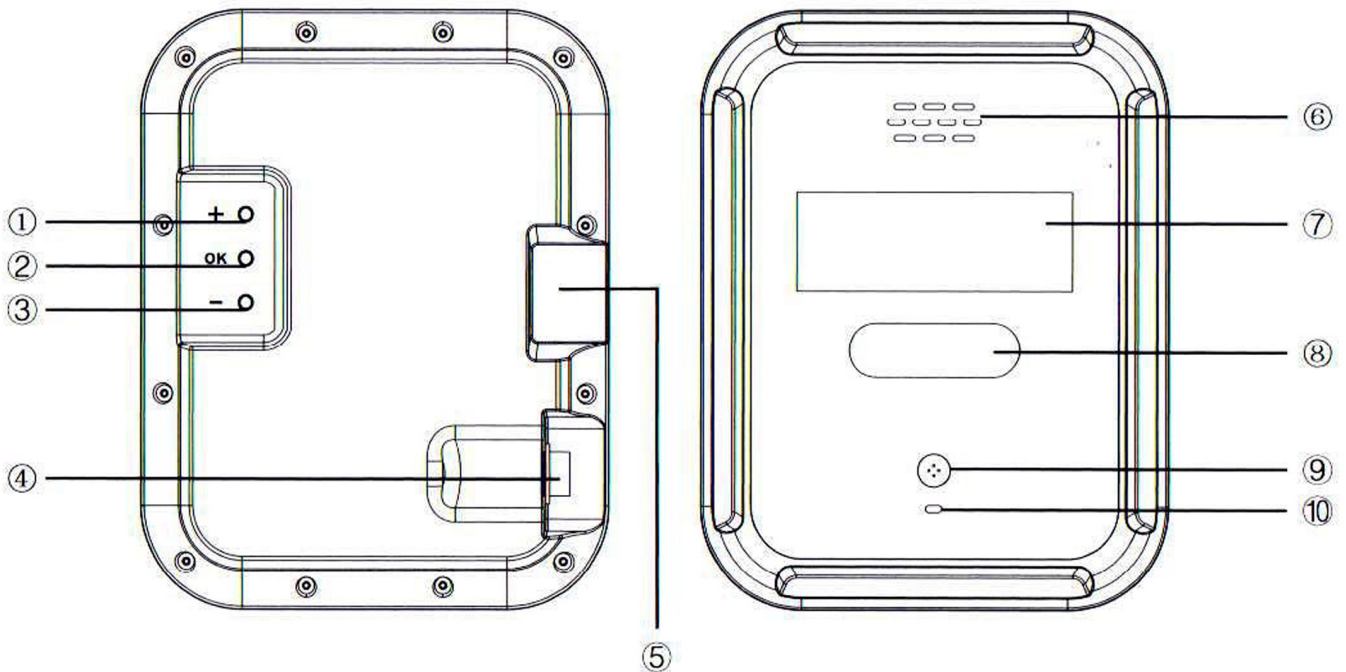
DREAM BOX

User manual



2020

PRODUCT DIAGRAM



Interface and button Description:

1. Volume+ 2. OK 3. Volume- 4. Power interface 5. SIM card slot
6. Speaker 7. LED Display 8. Indicator light 9. Infrared sensor 10. TOF Sensor

* Only 4G version has SIM card slot

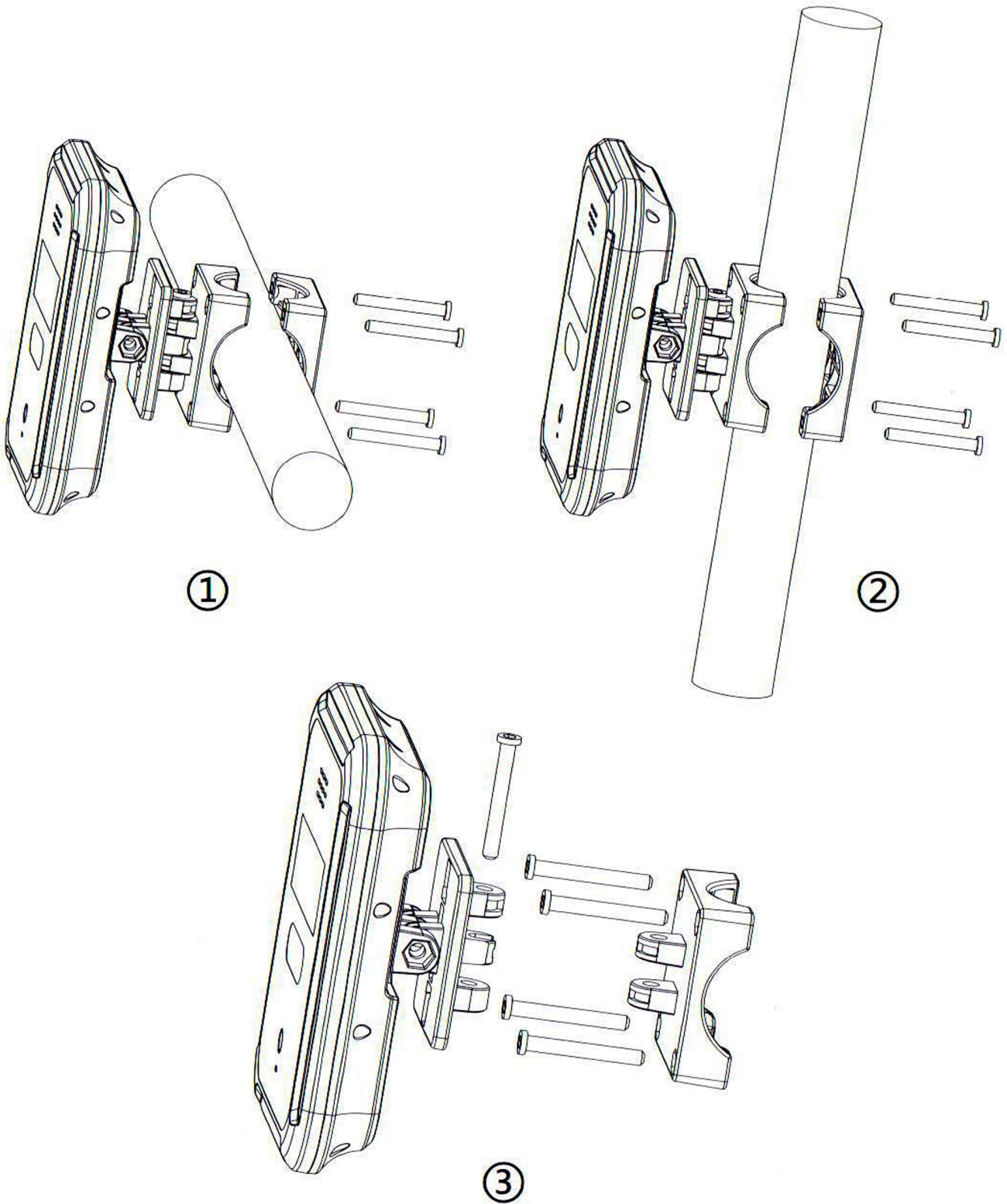
Packing list:

1. Thermodetector 2. Power Cord 4. Spare screw 5. user manual
3. Hexagon wrench 6. Certificate

Power requirements:

This equipment can use DC 5-40v power supply, can choose DC 5V, 9V, 12V, 24V and other standard power supply Adapter. When using 5V power supply, do not extend the power line, otherwise the voltage drop generated by the power line will affect. If the installation position must extend the power cord, please use the power supply above 9V Adapter to ensure that the device is working properly.

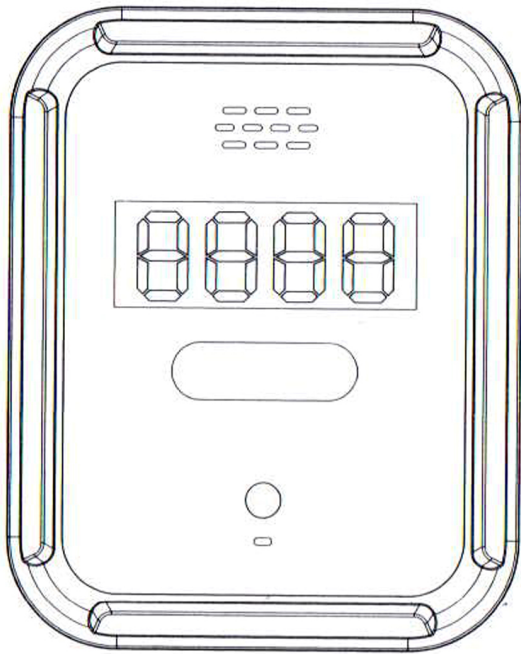
INSTALLATION DIAGRAM



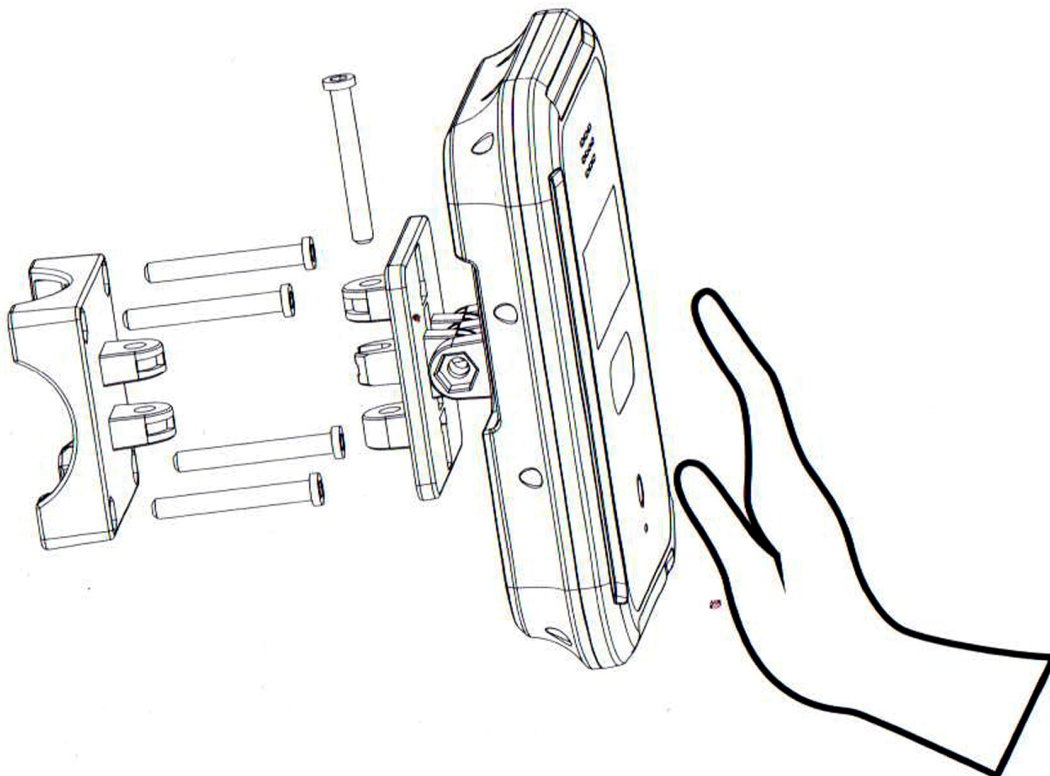
Installation instructions:

1. Cross bar installation
2. Vertical pole installation
3. Wall mounting

USE SCHEMATIC DIAGRAM



* Please tear off the panel protective film when using
And make sure that the sensor position is not stained or blocked



*Place your hand about 5cm away from the sensor
to measure automatically

QUICK OPERATION

1. In the temperature measurement mode, long press the "OK" key to quickly switch between the body temperature and the object temperature mode

Body temperature mode display: peop

Object temperature mode display: proj

2. In the temperature measurement mode, long press the "-" key to quickly switch between centigrade and Fahrenheit
3. In the temperature measurement mode, short press the "+ -" button to adjust the volume of the device, 0-mute, 9-maximum
4. Please press the "long" button to activate the temperature measurement mode

- The temperature display range is 32.0 °C ~ 42.9 °C
- Power supply voltage: dc5v-dc40v, standby power consumption: 0.3w, working power consumption: 1.2W
- 5000 pieces of measurement data are stored
- Up to 9999 counters
- Selection of Fahrenheit and centigrade modes
- Selection of material temperature and body temperature

Normal working conditions:

1. Ambient temperature: 16-35 °C

2. Relative humidity: less than or equal to 85%.

Basic size: 120mm * 150mm * 36mm (L * w * h)

Weight: 450g